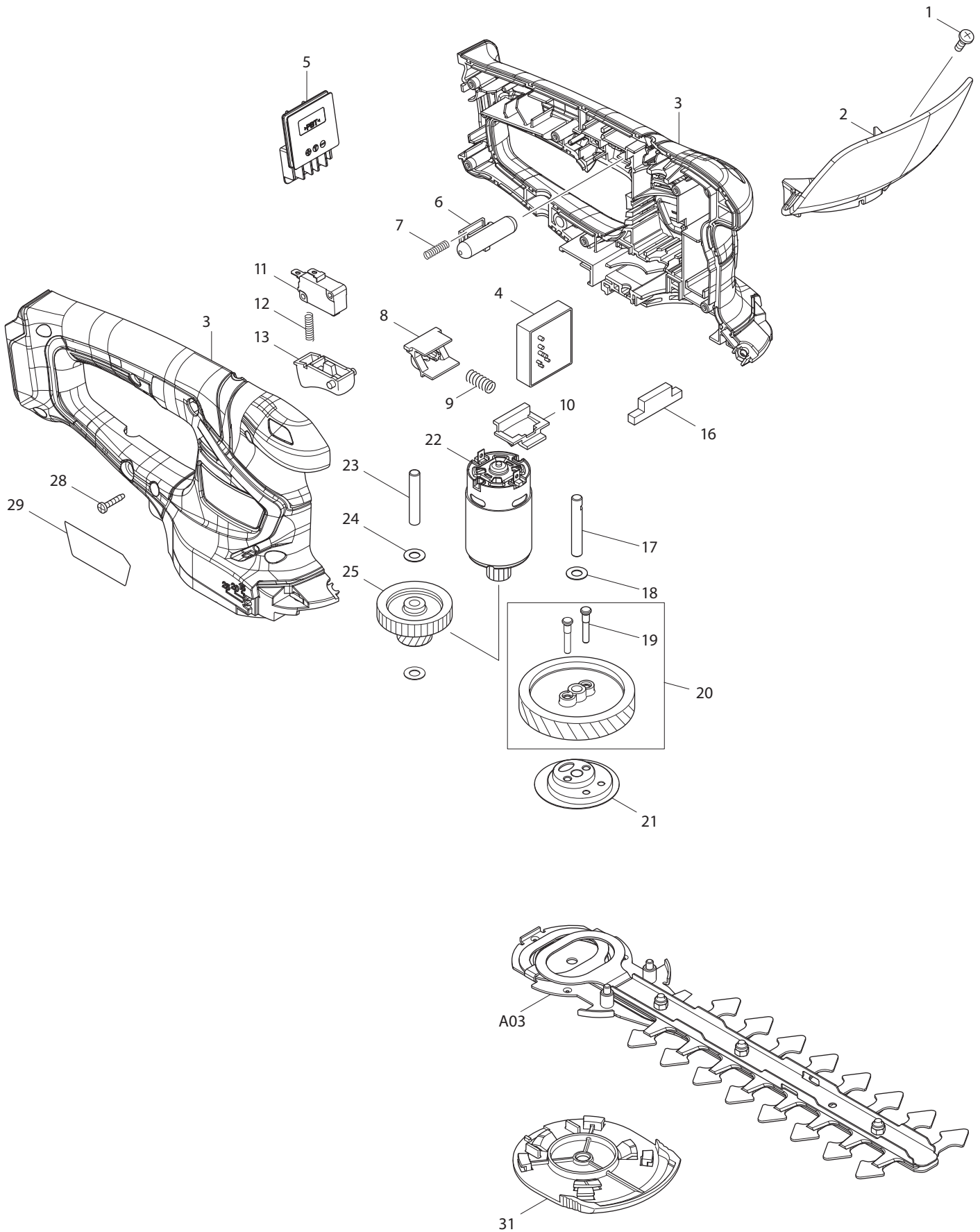




02 - 2017
UH201DZ
12V Max CXT Hedge Trimmer



Item No	Type	Sub	Part No	Description	Qty	Unit
001			915116-7	BINDING HEAD SCREW M4X12	1	PC.
002	1		144495-8	PROTECTOR COMPLETE	1	PC.
		INC.	812G28-6	CAUTION LABEL	1	PC.
	2		140V98-8	PROTECTOR COMPLETE	1	PC.
		INC.	812G28-6	CAUTION LABEL	1	PC.
003			183G04-0	HOUSING SET	1	SET
		INC.	931102-0	HEX NUT M4	1	PC.
		INC.	263002-9	RUBBER PIN 4	2	PC.
		INC.	346275-0	PLATE	2	PC.
004			632K10-1	CONTROLLER UNIT	1	PC.
005			644813-5	TERMINAL	1	PC.
006			452438-9	LOCK OFF BUTTON	1	PC.
007			231473-8	COMPRESSION SPRING 4	1	PC.
008			457534-8	SLIDE PLATE	1	PC.
009			234339-1	COMPRESSION SPRING 6	1	PC.
010			454879-5	LOCK LEVER	1	PC.
011			650744-8	SWITCH D3V-16-3C26	1	PC.
012			231473-8	COMPRESSION SPRING 4	1	PC.
013			417564-1	SWITCH LEVER	1	PC.
016			451814-4	DUST GUARD	1	PC.
017			268254-7	PIN 6	1	PC.
018			253715-0	FLAT WASHER 6	1	PC.
019			268256-3	PIN 4	2	PC.
020			135883-0	HELICAL GEAR 47 ASSY	1	PC.
		INC.		Item No. 19		
021			161598-3	CRANK COMPLETE	1	PC.
022			629258-8	DC MOTOR	1	PC.
023			268076-5	PIN 6	1	PC.
024			253715-0	FLAT WASHER 6	2	PC.
025			226831-1	GEAR 12-31	1	PC.
028			266429-2	TAPPING SCREW M3X16	6	PC.
029			852Y66-4	NAME PLATE F/UH201D	1	PC.
031			140451-6	UNDER COVER COMPLETE	1	PC.

ACCESSORIES

- See Catalogue or visit www.makita.ca for more accessories -

A01			198402-3	CHIP RECEIVER SET	1	PC.
A02	2		195274-7	BLADE COVER, HEDGE TRIMMER	1	PC.
	Opt.		452055-5	BLADE COVER, GRASS SHEAR	1	PC.
A03	1		198409-9	SHEAR BLADE ASSEMBLY F/HEDGE TRIMMER	1	PC.
		INC.	188369-3	OIL VESSEL SET	1	PC.
	2		198408-1	SHEAR BLADE ASSEMBLY F/HEDGE TRIMMER	1	PC.
		INC.	188369-3	OIL VESSEL SET	1	PC.
	Opt.1		195176-7	SHEAR BLADE ASSEMBLY F/GRASS SHEAR	1	PC.
		INC.	188369-3	OIL VESSEL SET	1	PC.
	Opt.2		195267-4	SHEAR BLADE ASSEMBLY F/GRASS SHEAR	1	PC.
A04			DC10SB	RAPID CHARGER DC10SB	1	PC.
A05			-----	12V MAX LI-ION BATTERY, SLIDE TYPE		
A06			-----	LI-ION BATTERY ACCESSORIES		
A07			195269-0	ACCESSORY SET F/GRASS SHEAR	1	PC.
		INC.	325896-1	BASE FRAME	1	PC.
		INC.	451813-6	CHANGE LEVER	1	PC.
		INC.	452055-5	BLADE COVER	1	PC.